

# KARIBAN

REFERENCE : K890

SIZES : U

**COMPOSITION :**

Main fabric : Polyester / Cotton twill 65/35 - 190 - 6.7 OZ 65% polyester / 35%cotton

Main fabric : Slubbed Cotton / Polyester denim 65/35 - 190 65%cotton / 35%polyester

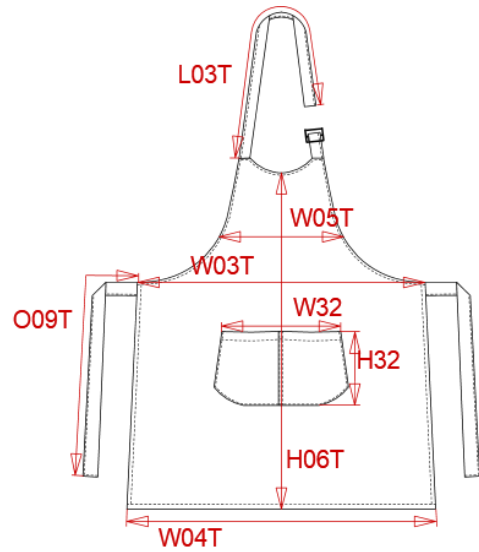
**WEIGHT :**

Main fabric : 190 gsm

Main fabric : 190 gsm

**ARTICLE WEIGHT :**

186 gr/pc



DESCRIPTION
<b>Français :</b> Tablier polycoton
<b>English :</b> Polyester Cotton apron
<b>Nederlands :</b> Schort van polykatoen
<b>Deutsch :</b> MISCHGEWEBE SCHÜRZE
<b>Español :</b> Delantal poli-algodón
<b>Italiano :</b> GREMBIULE IN POLIESTERE E COTONE
<b>Português :</b> Avental poliéster/algodão

MEASUREMENT						
Description	U					
<b>H06T</b> Hauteur milieu devant tablier / Apron front middle length	90					
<b>W03T</b> Largeur taille tablier / Apron waist width	76					
<b>W05T</b> Largeur poitrine tablier à 19cm du milieu dvt / Apron chest width at 19cm from front middle	37					
<b>W04T</b> Largeur bas tablier / Apron bottom width	81					
<b>H32</b> Hauteur poche devant / Front pocket height	20					
<b>W32</b> Largeur poche devant / Front pocket width	31,50					
<b>L03T</b> Longueur bretelle tablier / Apron neckline strap length	65					
<b>O09T</b> Longueur ceinture tablier / Apron waist strap length	100					

CARE LABEL

PACKING	
Box	50 pcs / box U => L:51cm W:47cm H:17cm GW:11.50kg NW:10.00kg

COLORS	PANTONE SERIGRAPHIE
Black	Black
Wine	504C
Bottle green	567C
Beige	7530C
Burnt orange	1675C
White	White
Red	200C
Dark grey	447C
Chocolate	439C
Kelly green	7727C
Navy	433C
Lagoon	2915C
Green olive	417C
Yellow	109C
Royal blue	287C
Lime	367C
Light grey	416C
Dark pink	494C
Tropical blue	7468C
Purple	7447C
Denim	-
Fuchsia	7425C
Orange	1585C
Sky blue	278C
Light khaki	7764C
Marsala	4995C
Camel	874C
Angora	482C
Cacao	7602C
Mustard	143C
Black denim	-