

# KARIBAN

REFERENCE : K895

SIZES : U

**COMPOSITION :**

Main fabric : Cotton twill - 280 - 9.4 OZ 100%cotton

Main fabric : Slubbed Cotton denim - 280 100%cotton

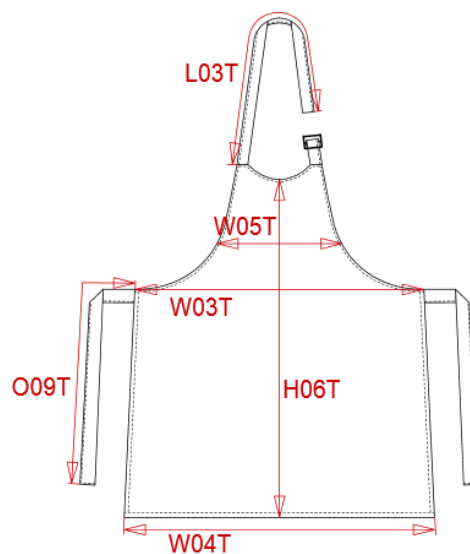
**WEIGHT :**

Main fabric : 280 gsm

Main fabric : 280 gsm

**ARTICLE WEIGHT :**

240 gr/pc



**DESCRIPTION**

**Français :** Tablier coton

**English :** Cotton apron

**Nederlands :** Katoenen schort zonder zak

**Deutsch :** Baumwollschürze ohne Tasche

**Español :** Delantal de algodón sin bolsillos

**Italiano :** Grembiule cotone senza tasche

**Português :** Avental de algodão sem bolso

**MEASUREMENT**

Description	U						
<b>H06T</b> Hauteur milieu devant tablier / Apron front middle length	90						
<b>W03T</b> Largeur taille tablier / Apron waist width	76						
<b>W05T</b> Largeur poitrine tablier à 19cm du milieu dvt / Apron chest width at 19cm from front middle	37						
<b>W04T</b> Largeur bas tablier / Apron bottom width	81						
<b>L03T</b> Longueur bretelle tablier / Apron neckline strap length	65						
<b>O09T</b> Longueur ceinture tablier / Apron waist strap length	100						

**CARE LABEL**



**PACKING**

Box	50 pcs / box U => L:51cm W:41cm H:20cm GW:13.50kg NW:11.90kg
-----	---

**COLORS**

**PANTONE SERIGRAPHIE**

Black	Black
Wine	504C
Bottle green	567C
Beige	7530C
Burnt orange	1675C
White	White
Red	200C
Dark grey	447C
Chocolate	439C
Kelly green	7727C
Navy	433C
Lagoon	7688C
Green olive	417C
Yellow	109C
Royal blue	287C
Lime	367C
Light grey	416C
Dark pink	494C
Tropical blue	7468C
Purple	7447C
Denim	Denim
Fuchsia	7425C
Orange	1585C
Sky blue	278C
Light khaki	7764C
Marsala	4995C
Camel	874C
Angora	482C
Cacao	7602C
Mustard	143C
Black denim	-